

COVANA

HORIZON USER MANUAL



Revision 1
2020-06-12
C.A. 232874

TABLE OF CONTENTS

TABLE OF CONTENTS	2
CONGRATULATIONS ON THE PURCHASE OF YOUR NEW COVANA COVER	3
SAFETY	4
Safety information.....	4
Avoiding the risk of electric shock	5
LABELLING	6
GLOSSARY	8
QUICK START-UP INSTRUCTIONS	10
USING THE ESCAPE HATCH	11
MANUAL LIFTING PROCEDURE	12
WINTERIZING THE HORIZON COVER	13
PERIODIC MAINTENANCE TABLE	14
TECHNICAL SPECIFICATIONS	15
Side elevation	15
Frame and footprint	16
Electrical specifications.....	16
Operating limitations	17
General specifications	17
TROUBLESHOOTING	18
WARRANTY	20
APPENDIX	24
Washing the HORIZON cover	25
Post greasing procedure.....	26
Shear pin replacement procedure	30

CONGRATULATIONS ON THE PURCHASE OF YOUR NEW COVANA COVER

Thank you for choosing our product. The COVANA cover you have chosen is the result of excellent engineering, attention to detail and a great deal of pride. With proper care and attention, your COVANA cover will last many years and offer great performance.

Although our products are built to last, we strongly recommend that you register your COVANA cover at the time of purchase to ensure an adequate follow-up process.

In fact, registering your COVANA cover allows us to quickly reach you in the unlikely event a safety notice was to be issued. Your product and safety are a top priority for us at COVANA.

You will need your original sales receipt as proof of purchase to obtain warranty service and the work must be performed by an authorized technician. If your COVANA cover were ever to malfunction, your product registration will allow us to access necessary information in a timely manner.

Experience the benefits of registering your COVANA cover at www.covana.com/warranty.html.

Please take a few minutes to read all the instructions before you use your new COVANA cover. This user manual will explain how your cover works, so you will get the most from your COVANA cover for many years.

For service and advice, do not hesitate to call your local authorized COVANA dealer.



SAFETY

IMPORTANT SAFETY INSTRUCTIONS

SAVE THESE SAFETY INSTRUCTIONS AND REVIEW THEM REGULARLY.

READ AND FOLLOW ALL INSTRUCTIONS

Safety information

The COVANA cover was designed, tested and certified to be installed over a residential hot tub (spa) and under important installation instructions issued by COVANA. Any other type of usage will void the warranty and product certification.

The extra load maximum weight provided in the specification section of this manual is a provision for environmental outcomes, such as some snow or damp leaves that could accumulate on the cover, that are evenly distributed on the surface of the cover.

The COVANA cover was not designed to support any additional load or people walking or standing on its lid. Failure to observe this instruction will void the warranty and product certification.

The power safety cover meets ASTM F1346-91 requirements.

⚠ DANGER

- ♦ To reduce the risk of injury, do not allow children to use this product unless they are supervised at all times.
- ♦ Failure to follow all instructions may result in injury or even death.
- ♦ Do not allow people to climb or walk on the cover at any time.
- ♦ Do not allow children to have access to the COVANA cover without supervision.
- ♦ Never operate the COVANA cover until all people and objects are out of the spa.
- ♦ Lower the COVANA cover in extreme wind conditions such as gusts of 20 mph (30 km/h) in the raised position and upwards of 45 mph (70km/h) when completely lowered on the hot tub.

⚠ WARNING

- ♦ Be sure to keep the key switch and the key out of the reach of children.

- ♦ Do not put any type of fabric or plastic sheet, such as a tarpaulin, on the COVANA cover. This could overheat the cover and result in the deformation or delamination of the cover.
- ♦ Inspect the cover periodically. It should raise smoothly and evenly. Contact your COVANA dealer if any unusual sound is heard during use.
- ♦ Never use any type of pressure washer or buffer to clean any surface of the COVANA cover. This could result in premature wear or damage.
- ♦ The key switch must be permanently mounted and located 5 ft. (1.5 m) away from the hot tub and 5 ft. (1.5 m) above the deck or ground level. Ensure the user has a clear view of the COVANA cover when operating it. Furthermore, the key switch terminal should be located in a place where no water downpour or debris could fall on it. (Figure 1)

DO

- ♦ Remove the control key after operating the COVANA cover. Store the key in a secure location when not in use. Users must bring the control key into the hot tub with them to prevent unauthorized operation of the cover.
- ♦ Never leave the key in the key switch.
- ♦ Check the cover frequently for signs of deterioration.
- ♦ Have any repairs, adjustments or mechanical work performed by your authorized COVANA dealer as soon as possible should you notice a malfunction.
- ♦ Close the cover when not in use or if the hot tub is not being monitored.
- ♦ A COVANA cover should only be operated by an adult.
- ♦ This appliance can be used by children aged 8 years and above and persons with reduced physical, sensory or mental capabilities or lack of experience and knowledge **ONLY** if they are supervised or have received instructions regarding safe use of the cover. Children must not play with the appliance. Cleaning and user maintenance must not be performed by children without supervision.

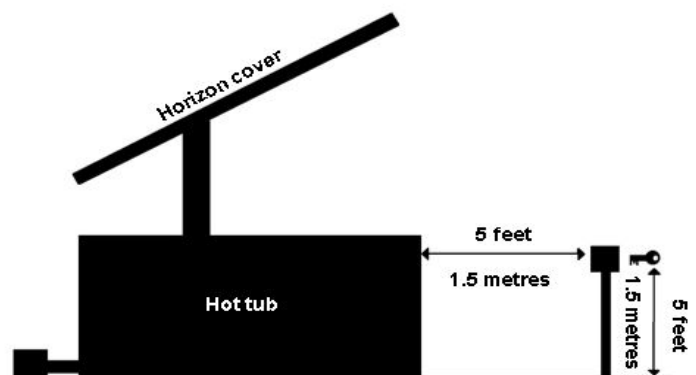


Figure 1

DO NOT

- ◆ Operate the unit before all the mechanical and electrical connections are completed.
- ◆ Step on or stack anything on the COVANA operator cover.
- ◆ Operate the COVANA cover while someone is in the hot tub.
- ◆ Climb, walk or stand on the COVANA cover at any time.
- ◆ Leave the COVANA cover open for more than 12 hours. This could cause the cover to warp over time.
- ◆ Converge or directly reflect sunlight on the cover. This could cause permanent damage.
- ◆ Wash the cover with harsh chemicals or cleaners.
- ◆ Use a pressure washer to clean any component of the COVANA cover. This could result in premature wear or damage.
- ◆ Use an extension cord to connect the COVANA cover to its power source. The cord may not be properly grounded, and the connection is a shock hazard. An extension cord may cause a voltage drop, which would cause the motor to overheat.

CAUTION

- ◆ Be sure to follow all the instructions in this manual and only use COVANA-approved accessories and tools.
- ◆ Do not roll the COVANA cover onto its side or slide it on its side. This will damage the siding.
- ◆ After removing any part, always place it in a safe place on a clean and level surface to ensure proper functionality.
- ◆ *For anchoring models:* Both posts of the COVANA cover must be properly anchored to the foundation using the anchoring holes located at the foot of each post.
For tub-mount models: Both posts of the COVANA cover must be properly anchored to the hot tub frame using the tub-mount brackets and arms.
- ◆ This product mainly contains steel, fiberglass, foam, copper (Cu) and die-cast aluminum (Al). The gearbox contains oil and other materials. Please recycle them properly.

Avoiding the risk of electric shock

ELECTRICAL DANGER

- ◆ Failure to comply with these instructions may result in serious injury or death by electrocution. Disconnect or turn off and secure all power supplies before starting any maintenance on the COVANA cover.

- ◆ For AC-operated models: A disconnecting means needs to be incorporated into the fixed wiring at the time of installation. This device must be accessible to the user or service technician to turn the power off for future maintenance or repair.
- ◆ Always have a licensed electrical contractor perform any electrical maintenance or repairs on the COVANA cover. Wiring must comply with all applicable local electrical codes and regulations.
- ◆ The COVANA operator must be connected to a circuit that is protected by a dedicated ground fault circuit interrupter (GFCI) that complies with all applicable local electrical codes and regulations.
- ◆ Install the COVANA cover in such a way that drainage directs water away from all electrical and base mechanical components.
- ◆ Do not connect any auxiliary components to the electrical system of the COVANA cover unless they have been approved by COVANA.
- ◆ Replace electrical components with original components provided or approved by COVANA. Ask your dealer for replacement parts.
- ◆ To reduce the risk of electrical shock, replace all damaged electrical cables immediately. Failure to do so may result in death or serious personal injury due to electrocution.
- ◆ Do not bury any electrical cables. A buried cable may result in death or serious personal injury due to electrocution if direct burial-type cable is not used, or if improper digging occurs.

WARNING REGARDING DRUG OR ALCOHOL USE

- ◆ The use of drugs or alcohol while operating the COVANA cover is strictly prohibited. The impairment of judgement, vision or hearing may affect the safety of other people or result in death.

WARNING REGARDING MODIFICATIONS TO THE COVANA COVER

- ◆ Any modifications to the COVANA cover, such as mechanical, electrical or aesthetic modifications, may cause the cover to operate in an unwanted or dangerous way. Furthermore, these modifications might void the warranty and certification.
- ◆ The COVANA cover was designed, tested and certified for the sole purpose of covering and securing a spa. Any installation that differs in whole or in part from this purpose will void the warranty and certification.

SAVE THESE INSTRUCTIONS

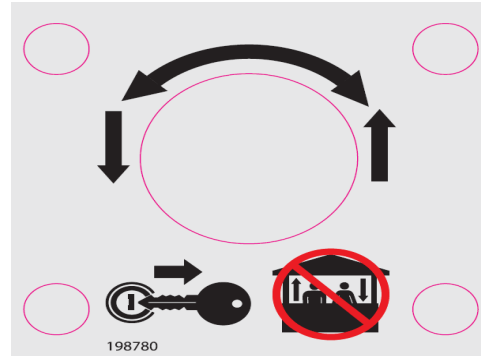
LABELLING

⚠ WARNING

- ◆ Removing any labels from the COVANA cover will void product certification. All labels should always remain visible. It is the owner's responsibility to ensure these labels are always visible and should never be removed



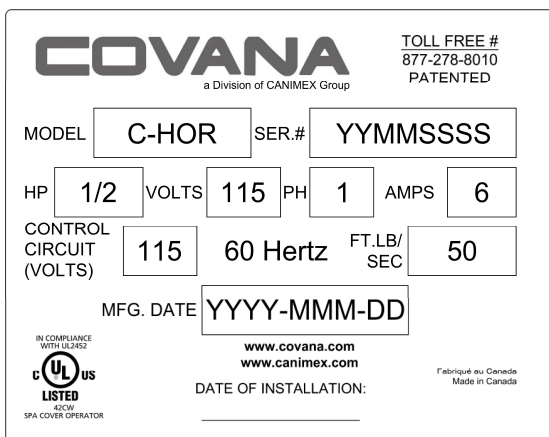
Risk of electrocution warning, located on the operator unit.



Key operating diagram, located on the key switch.

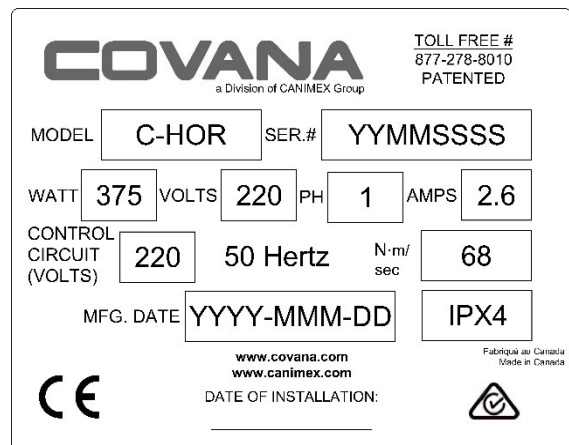


Drowning risk, located on all four sides of the COVANA cover.



Specification label, located on the operator.
(North American model)

Note: This label provides the serial number



Specification label, located on the operator.
(European model)

Note: This label provides the serial number



Key switch label, located on the key switch cable



Electrical information, located on the key switch cable.



200350

Do not step symbol, located on top of the operator cover

Visit www.sterlingcovana.com for recommended maintenance procedures and videos
 This label not to be removed except by the consumer

Visitez www.sterlingcovana.com pour des conseils et des vidéos sur les procédures d'entretien
 Seul l'utilisateur peut retirer cet autocollant

198782








MADE IN CANADA
 FABRIQUÉ AU CANADA

Maintenance information, located on one of the C-Channels.



Do not step on the cover label, located at the end C-channels of the COVANA cover.

GLOSSARY

Part	Figure	Function
All-weather seal	 <p>Figure 2</p>	The all-weather seal will help protect the sleeves from damage due to weather.
Contour seal	 <p>Figure 3</p>	The contour seal ensures uniform contact between the cover and the hot tub. It prevents excessive water and other contaminants from entering the spa. It also reduces heat loss.
Escape hatch	 <p>Figure 4</p>	The escape hatch is a removable panel and part of the cover. Refer to <i>Using the escape hatch</i> section.
Key switch	 <p>Figure 5</p>	The key switch is used to operate the COVANA cover.
Operator	 <p>Figure 6</p>	The operator powers and controls the lifting mechanism of the COVANA cover.

<p>Post</p>	 <p>Figure 7</p>	<p>The posts are fastened to the cover and allow it to raise or lower.</p>
<p>Pivot arm</p>	 <p>Figure 8</p>	<p>Links the cover to the posts.</p>
<p>Top plate cover</p>	 <p>Figure 9</p>	<p>The top plate cover is installed on the sleeve assembly.</p>
<p>Blue sticker</p>	 <p>Figure 10</p>	<p>The blue sticker is for aesthetic purposes only. It sticks to the front lip of the top plate cover.</p>

QUICK START-UP INSTRUCTIONS

Ensure your COVANA cover was properly installed by an authorized COVANA installer; this includes the location of the cover (see the *Location considerations section of installation manual*), the foundation of the cover (see the *Foundation preparation section of installation manual*) as well as the electrical installation of the cover (see the *Electrical hook-up section of installation manual*).

Please read carefully the *Safety section* of this manual before operating the COVANA cover.

- 1) Ensure that all debris and snow are removed from the top of the COVANA cover before operating.
- 2) Ensure there is nobody in the tub or near the tub when raising or lowering the cover.
- 3) Ensure there is no obstruction over or around the COVANA cover.
- 4) The key must be held in the proper position until fully open or closed.
- 5) The COVANA cover will automatically stop in both the fully open and fully closed position.
- 6) Turn the key clockwise to raise the cover.
- 7) Turn the key counter clockwise to lower the cover.
- 8) The key will automatically return to the center/off position when released.
- 9) Remove the key when finished operating the COVANA cover. Store the key in a secure place.

WARNING

- ♦ Users must bring the control key in the hot tub with them to prevent the unauthorized operation of the cover.

- 10) Place the rubber cap back on the key switch after each use.

IMPORTANT: Keep the cover fully closed when not in use.

USING THE ESCAPE HATCH

From below

- 1) Turn the red handle a quarter turn in either direction to retract the arms. (Figure 11)
- 2) Push straight up on the escape hatch and set it aside.
- 3) Escape via the opening and call for assistance, if required.

From above

- 1) Do not at any point put your weight on the escape hatch as it may hinder any person trapped below.
- 2) Use the COVANA key inside the slot located in the white centre part of the handle. (Figure 12)
- 3) Turn the handle until the key falls.
- 4) Continue to turn handle one quarter turn in either direction.
- 5) Lift the escape hatch straight up by gripping its sides and set it aside. (Figure 13)
- 6) Help the person trapped below by pulling them out of the hot tub via the opening.

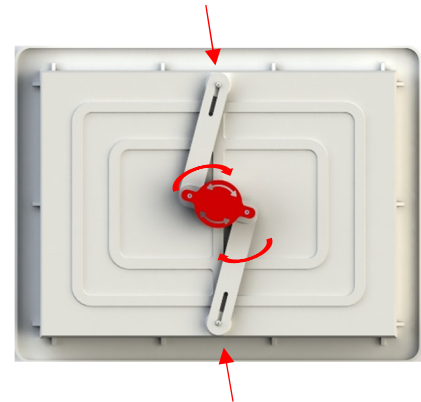


Figure 11

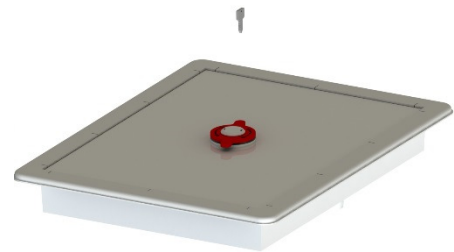


Figure 12

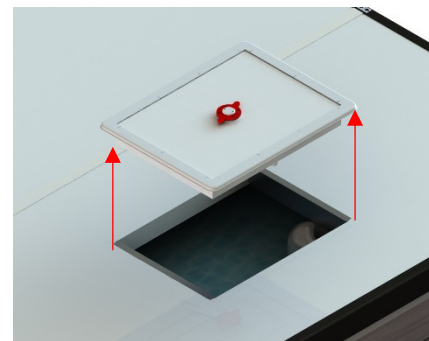


Figure 13

MANUAL LIFTING PROCEDURE

⚠ ELECTRICAL WARNING

♦ Disconnect or turn off and secure all power supplies before starting any intervention on the COVANA cover.

- 1) Disconnect or turn off and secure the power supply.
- 2) Remove the four screws at the bottom of the operator cover and take the cover off. (Figure 14)
- 3) Use ½" (13 mm) hexagonal socket wrench to raise or lower the COVANA cover by turning the operator's input shaft. (Figure 15)

- 4) Slowly turn the shaft. Stop immediately if high tension is felt.

⚠ WARNING

♦ Never use a power tool, as this will damage the unit.

- 5) Turn the input shaft clockwise to lower the roof and counter clockwise to raise the roof.

⚠ WARNING

Do not exceed the limits of the mechanism. Failure to respect this guideline could cause a mechanical failure.

- 6) Reinstall the operator cover with the four screws. (Figure 14)

- 7) Reconnect and turn on the power supply.

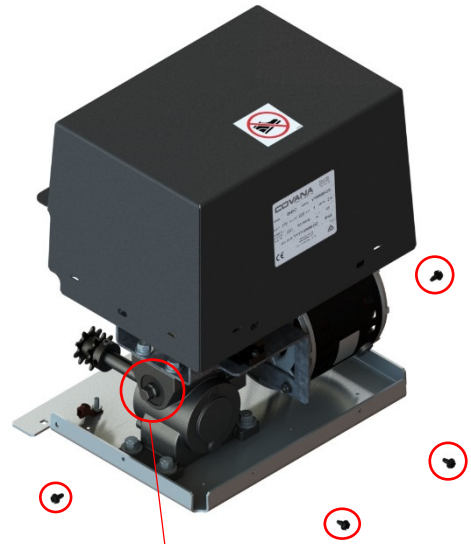


Figure 14

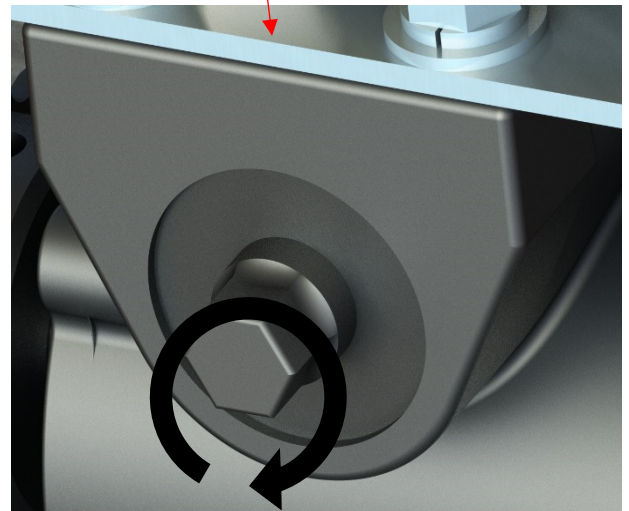


Figure 15

WINTERIZING THE HORIZON COVER

If you plan on winterizing your hot tub during the cold season, COVANA recommends winterizing the COVANA cover as well. This process prevents any potential aesthetic damage to your COVANA cover and minimizes the risk of freezing water damage to the tub. Please follow these instructions:

⚠️WARNING

- ◆ These instructions are relevant for anyone who plans to stop using the hot tub for a long period of time, particularly if the temperature goes below 32° F (0° C).
- 1) Clean the COVANA cover completely to remove any dust, greasy residue or any other foreign contaminants.
 - 2) Prepare the hot tub for closure by following the spa manufacturer's winterization instructions.
 - 3) Completely close the COVANA cover on the hot tub. Ensure the seal touches the whole perimeter of the hot tub.
 - 4) Ensure the escape hatch is properly installed on the cover and closed.
 - 5) Remove the power from the the COVANA cover. This can be done by shutting off and securing the circuit breaker powering the COVANA cover
 - 6) Put a tarpaulin or waterproof protection sheet over the COVANA cover. Do not infringe any of the spa manufacturer's guidelines during this step.

⚠️WARNING

- ◆ Putting any type of fabric or plastic like a tarpaulin during hot weather could damage the COVANA cover. Only use such protection for the winterization procedure and during the cold season.
 - ◆ Remove any type of cover or plastic tarpaulin as soon as seasonal temperatures are higher than freezing temperature (32°F or 0°C).
- 7) For areas with a large seasonal snowfall, remove excessive snow accumulation regularly or after a heavy snowfall to avoid damage to the structure of the COVANA cover. Do not let the snow accumulate more than 12 in. (30 cm) on the COVANA cover.



PERIODIC MAINTENANCE TABLE

Your COVANA cover was designed to provide years of trouble-free enjoyment. As with any appliance, problems may occasionally occur that require the expertise of an authorized COVANA service technician. Before calling for service, please refer to the *Troubleshooting section*. Always retain your original sales receipt for future reference.

Tasks	Frequency				
	Each use	Weekly	3 months	Yearly	As needed
Perform a visual inspection (debris, snow, ice, etc.)	X				
Check that the sleeves are correctly positioned. (Middle sleeves are not out of place)	X				
Check that all-weather seals are correctly positioned (in contact with the outer sleeves when the cover is closed).	X				
Listen for unusual sounds during operation.		X			
Check the seal around the COVANA cover. (no vapor leakage)		X			
Check the lifting mechanism by raising and lowering the COVANA cover.		X			
Check the anchoring of the COVANA cover.		X			
Test the GFCI.			X		
Check that the escape hatch functions properly.		X			
Check the tension of the chains on both posts and in the u-frame. *				X	
Lubricate chains on both posts and in the u-frame. *				X	
Grease the jack assemblies. *				X	
Wash the cover with a mild detergent (i.e. dishwashing detergent) and water. Rinse well using only water.					X
Remove escape hatch and clean it with a mild detergent (i.e. dishwashing detergent) and water. Rinse well using only water.					X

*Contact your local dealer

Please call your COVANA dealer for any mechanical, electrical or aesthetic maintenance.

TECHNICAL SPECIFICATIONS

Side elevation

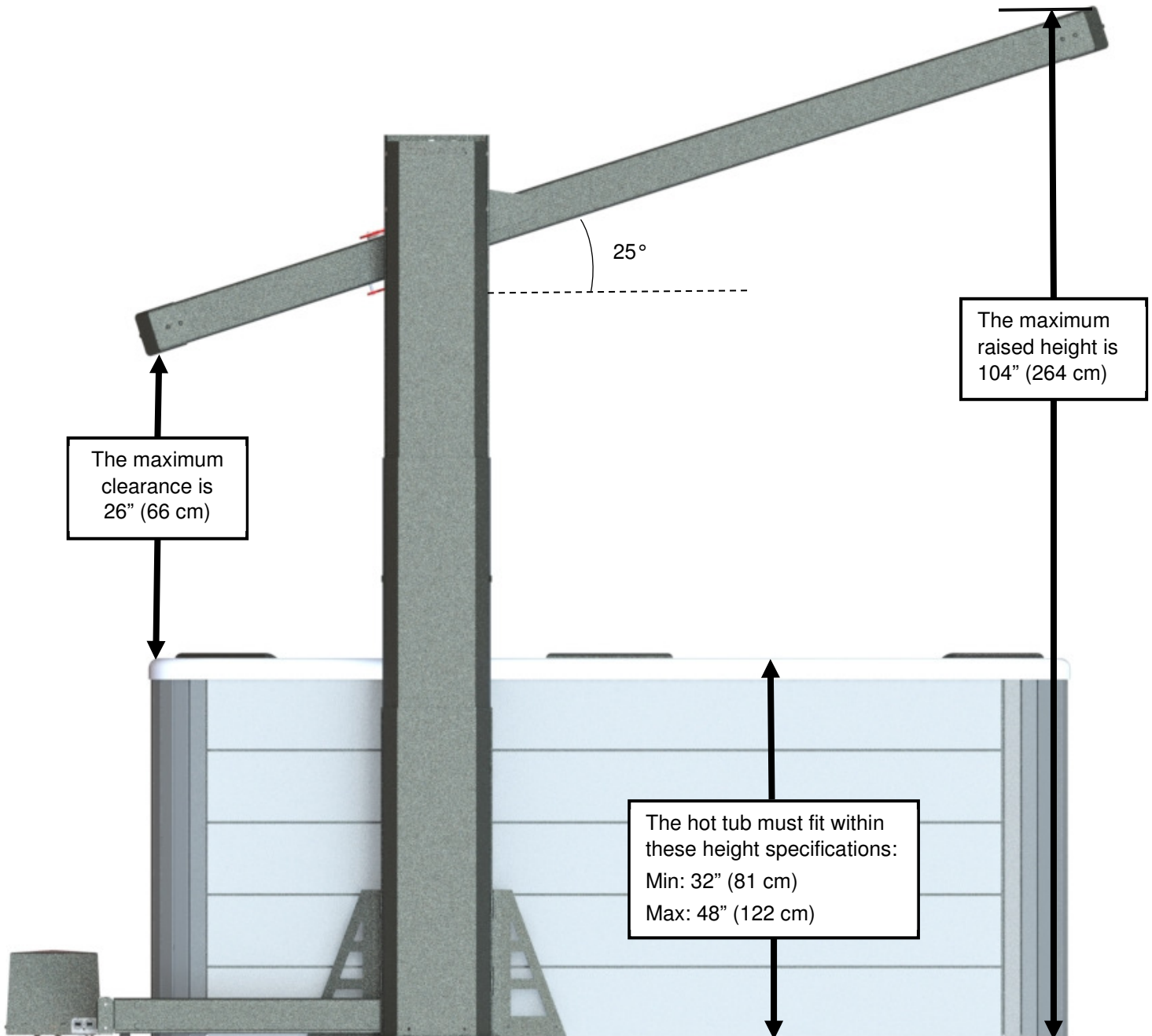


Figure 16

Frame and footprint

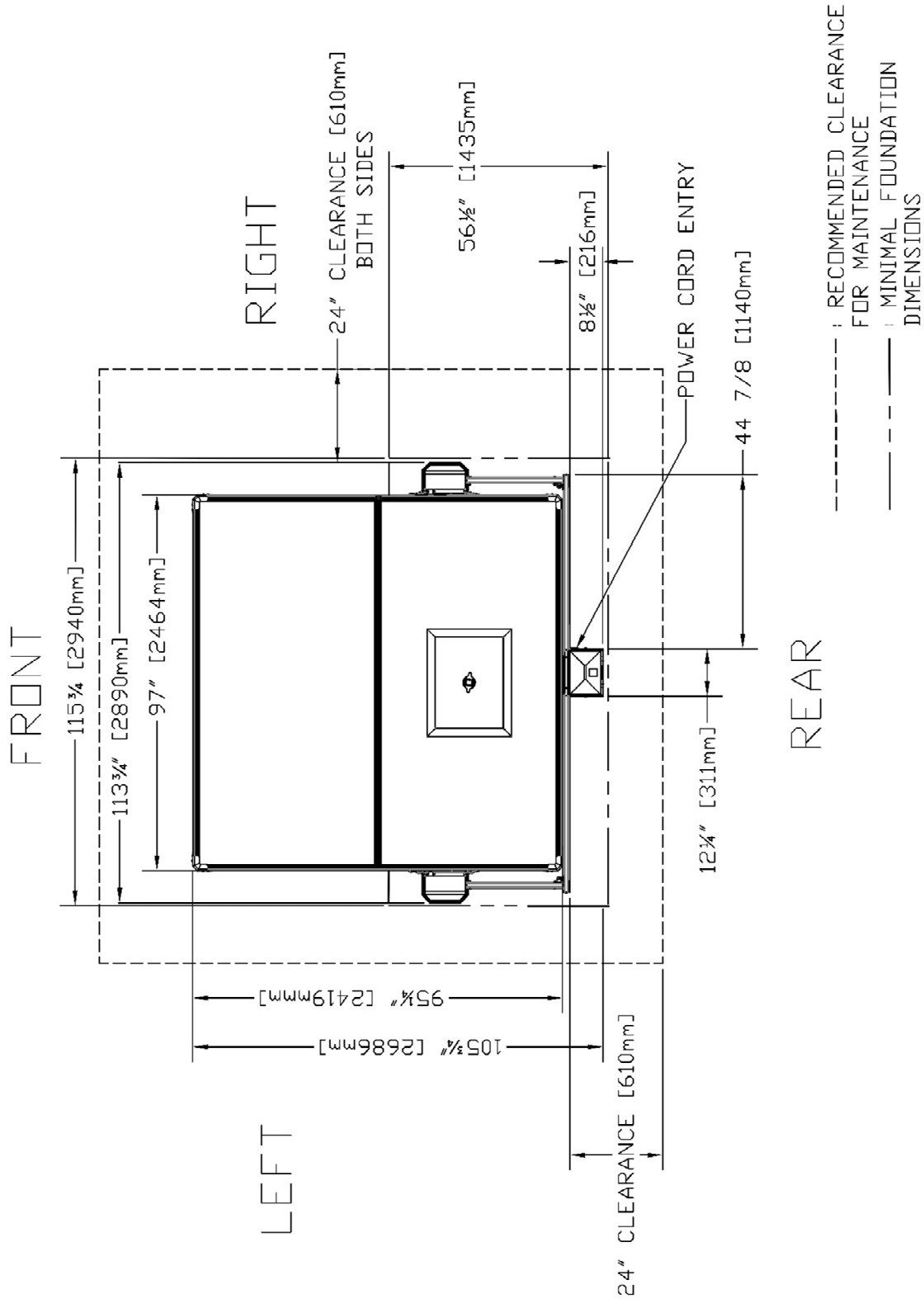


Figure 17

Dimensions do not include required access to service hot tub.
 Do not scale drawing.
 Dimensions are in inches [mm].

Electrical specifications

- ◆ The cover requires a dedicated single-phase 115 V AC (North America) or 220 V AC (Europe) hard-wired power supply.
- ◆ The cover must be installed in accordance with and comply with all applicable local codes and regulations. All wiring and connections should be performed by a qualified electrician.
- ◆ Wires and conduits should be sized according to local codes and regulations.

North American requirements:

Voltage	115 V, 60 Hz (1 hot, 1 neutral, 1 ground)
GFCI	15 A single-pole GFCI (not included)
Current draw	Max 12 A

European requirements:

Voltage	220 V, 50 Hz (2 hot, 1 ground)
GFCI	10 A single-pole GFCI (not included)
Current draw	Max. 6 A

⚠ WARNING

- ◆ COVANA does not allow any modifications of the electrical system. COVANA reserves the right to void the warranty if any modification is done without its specific approval.

Operating limitations

⚠ WARNING

- ◆ The COVANA cover should never be used if the following conditions are reached.

Maximum wind	Gusts of 20 mph (30 km/h) in the raised position and 45 mph (70 km/h) when completely lowered on the hot tub.
Maximum weight on the cover (evenly distributed)*	120 lb. (54 kg)

* The load specification for the HORIZON cover is a provision for environmental outcomes, typically some snow or damp leaves that could accumulate on the cover.

General specifications

Lifting speed	2.5 in./s (6 cm/s)
Total weight	530 lb. (240 kg)
Length key switch cable	25 ft. (7.6 m)

TROUBLESHOOTING

Problem	Probable Causes	Solutions
COVANA cover does not raise or lower. (Silent motor and no movement)	<ul style="list-style-type: none"> ♦ The GFCI is tripped. ♦ The power source is disconnected. 	<ul style="list-style-type: none"> ♦ Reset the GFCI. ♦ Check that the power source is enabled. ♦ Check the breaker panel. ♦ Check if any electrical cables are damaged or pinched.
COVANA cover does not raise or lower. (Motor humming and some visible movement)	<ul style="list-style-type: none"> ♦ Posts are frozen. ♦ Cover is obstructed. ♦ Jack assemblies are jammed. ♦ The motor is obstructed. ♦ Posts are obstructed. 	<ul style="list-style-type: none"> ♦ Remove all debris from top of COVANA cover. ♦ Check if posts are obstructed. ♦ Use methanol to free ice buildup on posts. ♦ Grease the post assemblies. ♦ Check the relative position of the two posts. ♦ If all previous attempts failed, contact your local authorized COVANA dealer.
Posts are not equally positioned.	<ul style="list-style-type: none"> ♦ The threaded rods are not at the same height. 	<ul style="list-style-type: none"> ♦ Adjust both threaded rods at the same height, respecting instructions in installation manual.
Middle sleeve has dropped.	<ul style="list-style-type: none"> ♦ The middle sleeve froze on the inner sleeve. ♦ The stopper kit is broken/missing. 	<ul style="list-style-type: none"> ♦ Verify that the all-weather seal is on the inner post and at the proper position. ♦ Check if the stopper kit is broken/missing. ♦ If all previous attempts failed, contact your local authorized COVANA dealer.
Cover raises unevenly.	<ul style="list-style-type: none"> ♦ A chain is broken. ♦ A spring pin is broken. ♦ A drive shaft has fallen off. 	<ul style="list-style-type: none"> ♦ Contact your local authorized COVANA dealer for technical support. ♦ Do not operate the COVANA cover.
Cover raises but does not lower.	<ul style="list-style-type: none"> ♦ The cam plate is incorrectly positioned or missing. ♦ The key switch is faulty. ♦ Limit switches cannot move properly. 	<ul style="list-style-type: none"> ♦ <i>Certified electrician only.</i> Open the operator and check for faulty up and down limit switches. ♦ Check if there is any corrosion on the terminals. If yes, clean the terminals. ♦ Open the key switch terminal and check for faulty switches. ♦ Check if any electrical cables are damaged or pinched.
Cover lowers but does not raise.	<ul style="list-style-type: none"> ♦ The cam plate is incorrectly positioned or missing. ♦ The key switch is faulty. ♦ Limit switches cannot move properly. 	<ul style="list-style-type: none"> ♦ <i>Certified electrician only.</i> Open the operator and check for faulty up and down limit switches. ♦ Check if there is any corrosion on the terminals. If yes, clean the terminals. ♦ Open the key switch terminal and check for faulty switches. ♦ Check if any electrical cables are damaged or pinched.

Escape hatch doesn't open/close	<ul style="list-style-type: none"> ◆ Mechanism is jammed. ◆ Verify the position of the locking mechanism. 	<ul style="list-style-type: none"> ◆ Refer to <i>USING THE ESCAPE HATCH</i> section (page 12) ◆ Remove the escape hatch from the underside of the cover and clean it to free the mechanism. ◆ If all previous attempts failed, contact your local authorized COVANA dealer.
Cover seal turned black.	<ul style="list-style-type: none"> ◆ The seal has accumulated mold. 	<ul style="list-style-type: none"> ◆ Clean the affected areas with bleach and a soft brush. Rinse well with water.
Cover no longer tilts	<ul style="list-style-type: none"> ◆ Brass shear pin in tilting mechanism is broken. ◆ Gas spring is weak. ◆ Too much snow/ice on cover. 	<ul style="list-style-type: none"> ◆ Replace shear pin as per instructions (page 27). ◆ Remove snow/ice. ◆ If all previous attempts failed, contact your local authorized COVANA dealer.
Cover tilts but will not return to flat position when lowering	<ul style="list-style-type: none"> ◆ Gas spring is faulty ◆ Pivot mechanism is jammed 	<ul style="list-style-type: none"> ◆ Replace pivot assembly gas springs. ◆ If possible, manually pivot the cover to vertical position by pulling down on front of cover while lowering – no more than 50 lbs ◆ If all previous attempts failed, contact your local authorized COVANA dealer.

WARRANTY

COVANA Limited Manufacturer's Warranty 2020

This limited warranty is extended solely to the original purchaser of an automated COVANA spa cover that was sold by an authorized COVANA dealer after January 1st, 2020 and installed for residential recreational use (hereafter the Product). The warranty starts on the original date of purchase[†]. Proof of purchase is required to process your warranty application.

THE WARRANTY OF YOUR COVANA PRODUCT:

THREE (3) YEARS

- **Structure:** The aluminum frame, brackets and telescoping sleeves are warranted against breakage and deformation.
- **Powder Coating Finish:** The powder paint on all surfaces are warranted against chipping and peeling under normal conditions of use.
- **Cover:** The ABS thermoplastic hardtop and the fiber reinforced XPS core thermal element are warranted against cracking, fracture and abnormal deformation.
- **Mechanical:** The mechanical components such as the motor, gear boxes, chains, drive shafts and jacks are warranted against malfunctions or premature wear.

ONE (1) YEAR

- **Electrical:** The electrical components such as the cables and wires, key switch assembly, limit switches and the LED light system are warranted against malfunctions.
- **Other Components:** All other components not mentioned above, with the exception of parts subject to normal wear, are all warranted against manufacturing defects.

COVANA warrants that parts and accessories subject to normal wear such as batteries, seals, roller shades, screens and key switch barrels cover, are to be free of manufacturing defects for a duration of THREE (3) MONTHS from the original date of purchase[†].

[†]**Please note:** The COVANA warranty is deemed effective no later than 12 months following the date on which the unit was shipped from COVANA's factory in Drummondville, Canada.

LIMITED WARRANTY:

This limited warranty covers the following costs against manufacturing defects due to material and/or workmanship:

- The total cost of parts is warranted in accordance to their respective warranty coverage duration starting from the original date of purchase†.
- The costs of labor associated with the part replacement or repairs covered under this warranty for **ONE (1) YEAR** after the original date of purchase†.
- The cost of shipping parts from the COVANA factory to the COVANA authorized dealer for **THREE (3) MONTHS** after the original date of purchase†.

COVANA exempts itself from warranting or being found liable for any cosmetic alterations to the Product resulting from normal surface fading or weathering or the discoloration of the surface due to improper spa water chemistry or misuse of spa chemicals. COVANA will not be responsible for any damage resulting from overheating caused by covering or wrapping the Product in any types of fabric or plastic sheet or the result of convergence or reflections of sunlight on the Product. COVANA is not deemed responsible for failures caused by installations in unrecommended areas such as an enclosed excessively humid area, flood zones, corrosive environments or containing other contaminants. This limited warranty does not provide an allocation for travel expenses associated with any repairs or parts replacement.

PERFORMANCE

In the event of a defect covered by this limited warranty, notify your COVANA dealer as soon as possible to obtain service, and use all reasonable means to protect the COVANA Product from further damage. Upon proof of purchase, an authorized dealer will correct the defect subject to the terms and conditions contained in this limited warranty. The COVANA Product owner is responsible for providing access to the Product in order to perform the repair.

Any replacement part will retain the remaining portion of the original warranty of the Product. Should you be unable to obtain service from your authorized dealer, please contact COVANA Customer Service by phone at 1-877-278-8010.

WARRANTY LIMITATIONS

This limited warranty is voided if COVANA determines that the Product has (i) been subject to alterations, neglect, misuse, abuse, lack of maintenance or improper adjustment or installation of the equipment which are not in accordance to guidelines within the installation manual, (ii) been used with equipment that is not covered by this warranty, (iii) been installed or relocated in such a way that the problems are attributable to the installation or relocation, (iv) been placed on any support surface other than that recommended in the installation manual, (v) any damage caused by overloading Product beyond rated capacity, (vi) been subjected to commercial use (vii) failed as the result of an accident, natural disasters or other cause beyond the control of COVANA such as fire, flood, extreme winds or lightning.

Always have a licensed electrical contractor perform the installation, any electrical maintenance or repairs on the Product in order to keep this warranty valid and effective. Partial or totality of the warranty could be voided if any unauthorized accessories or upgrades are implemented to the Product. The COVANA Product owner accepts liability for repair work performed by anyone other than the authorized COVANA dealer.

This Limited Warranty takes the place of all other warranties, either expressed or implied. All warranty work must be performed by an authorized COVANA dealer. The customer may not dismantle the COVANA Product, and any

attempt other than described herein to dismantle systems constitutes a modification or alteration to the COVANA Product, which may void the applicable warranty. No party other than COVANA is authorized to alter this limited warranty in any way. Failure to install the COVANA Product according to the installation manual instructions will void the warranty. COVANA will not be responsible of any consequential damages following installation or repairs or maintenance performed by the dealer or the consumer. All costs related to the removal and reinstallation of any surrounding equipment, landscape or any other structure that are not part of the Product is not the responsibility of COVANA nor the dealer.

COVANA's only obligation shall be to repair or replace defective parts that do not conform to the warranty. COVANA shall not be liable for any injury, loss or damage, direct or consequential, arising out of the inability to use the Product. Before installing and using the Product, the dealer shall determine the suitability of the Product for its intended use, and the consumer assumes all risks and liability in connection therewith.

REMINDER REGARDING REGISTRATION OF YOUR COVANA UNIT

Please ensure that your dealer has registered your Product with COVANA.
You can also go to Covana.com to register your Product in the « Warranty Registration » section.

DISCLAIMER AND LEGAL RIGHTS

This limited warranty gives you specific legal rights. You may also have other rights that vary depending on the country, state or province. COVANA//Canimex Inc.'s liability under this limited warranty, if any, will not exceed the original amount paid for the defective Product. The foregoing warranty is exclusive and in lieu of all other warranties of quality, whether written, oral or implied (including any other warranty of merchantability or fitness for purpose). The COVANA warranty on units sold outside Canada and the United States will take effect 60 days after the date shown on Covana/Canimex commercial invoice to the distributor

www.covana.com/warranty.html

01/01/2020

(This page intentionally left blank)

APPENDIX

Washing the HORIZON cover

Cleaning the HORIZON cover is essential to maintain and keep your cover in good running condition. Clean your cover as needed or when dirt, debris or leaves are present. We also recommend cleaning your cover before and after winterization.

Necessary tools:

- ◆ Use a 1% solution of household dish soap. The cleaner is required to have neutral pH (pH range 6.5-7.5).
- ◆ Soft plastic brush
- ◆ Sponge
- ◆ Cloth

The following steps are guidelines to safely and properly clean your COVANA cover:

Procedure:

- 1) Rinse COVANA cover with water (removing the large debris).
- 2) Apply the soap, working it across the surface in a scrubbing or circular motion. The surface of the panels can be cleaned with a sponge, cloth or soft plastic brush.
- 3) Quickly rinse thoroughly to remove all traces of soap; otherwise, a film will build up giving the panel a dull, dirty appearance.

WARNING

- ◆ Never use a pressure washer or high pressure to clean the COVANA cover. The high pressure might puncture the fiberglass roof.
- ◆ Never use harsh detergents that may cause a chemical reaction and permanently damage the panel.
- ◆ Never use water hotter than 130° F (54° C); this may cause melting of the fiberglass panels.
- ◆ Never climb on the cover; the roof may collapse.
- ◆ Do not use abrasive cleaners.
- ◆ Do not use a cleaner or stain remover that contains chlorinated hydrocarbons or aromatic hydrocarbons.

Post greasing procedure

NOTE: Refer to *Frame and footprint* section for the front, rear, left and right sides of the cover.

This unit will require the following greasing maintenance to ensure peak performance.

- ♦ The internal jacks and tilting mechanism require yearly greasing. Early Fall is the best time. Use of “**Mobil Epic EP MOLY Grease**” is recommended for hot and cold climates. Ideally, a sprayable grease or an equivalent low-temperature synthetic grease.

- 1) Lower or raise the roof until it is approx. 1” (2.54 cm) from the hot tub. Ensure the contour seal does not touch the hot tub. (Figure 18)
- 2) Remove the two front 1/4-20-1” button-head screws and loosen the rear ones on each side of the cover. (Figure 19 and Figure 20)

DO NOT DISCARD

⚠ CAUTION

- ♦ Never unscrew the four screws of the cover at the same time. (**DO NOT remove the rear screws**)
- 3) Carefully slide back the cover and let it lay onto the hot tub.

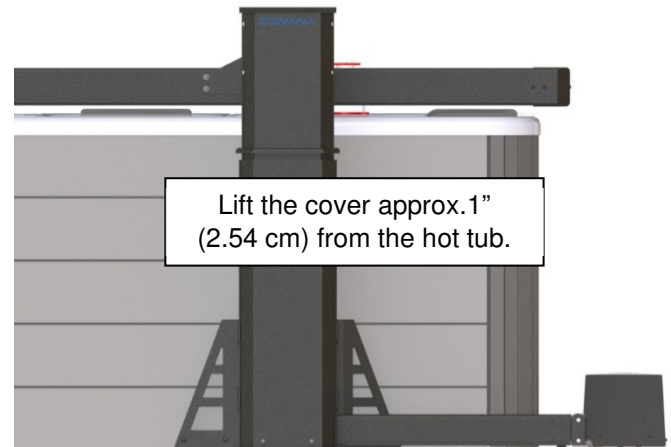


Figure 18

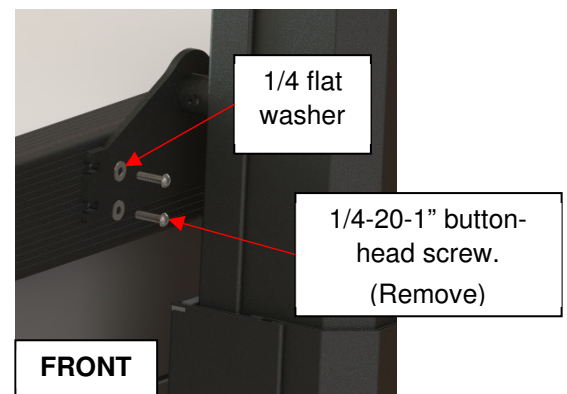


Figure 19

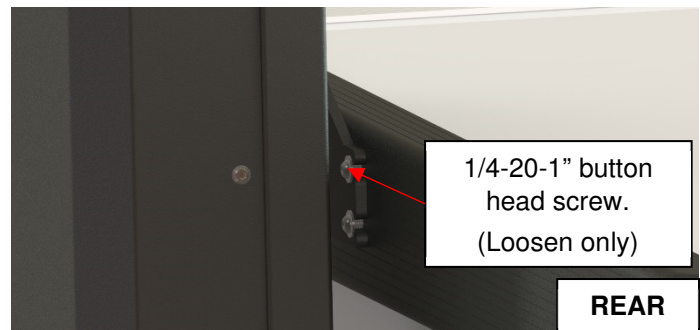


Figure 20

- 4) Remove the two top plates by unscrewing the two #8-1/2" Robertson screws per post assemblies. (Figure 21) Do not discard these screws.

⚠ WARNING

- ◆ Ensure the cover is well centered on the hot tub and will not interfere with the movement of the post assemblies.

- 5) Turn the key to raise the system until it reaches a full tilt (approx. 25°), raise the posts an extra inch (2.54 cm) and stop. (Figure 22)

Note: The two post assemblies will start to raise but the roof will stay lowered on the tub.

- 6) Unscrew the two #10-24-1/2" Phillips screws shown in Figure 23 at the back of both post assemblies. **DO NOT DISCARD THESE SCREWS**

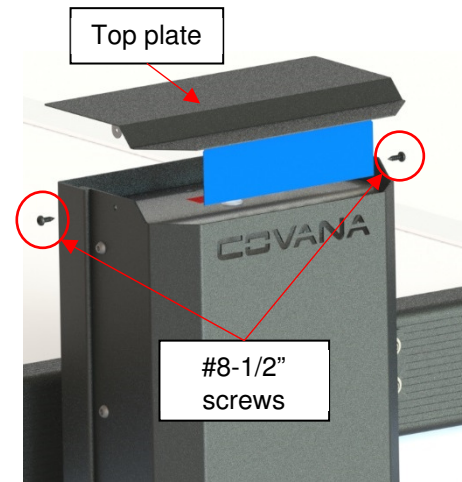


Figure 21

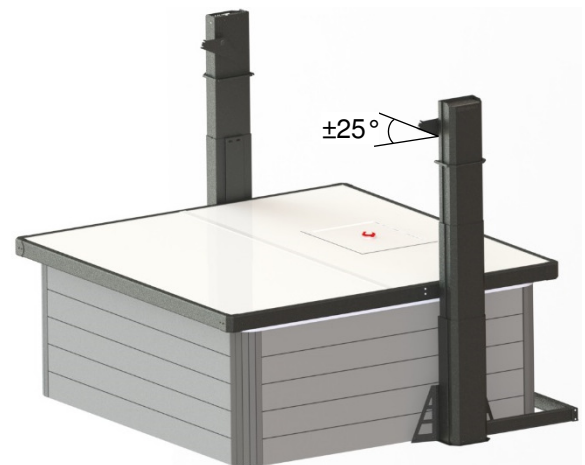


Figure 22

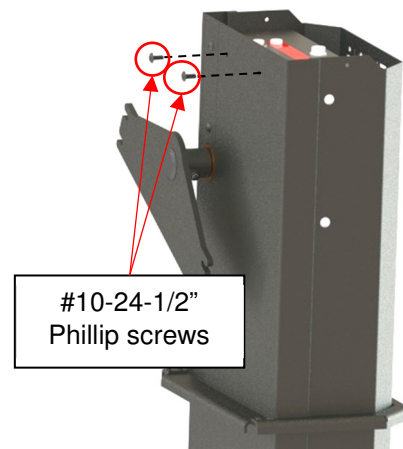


Figure 23

- 7) Unscrew the four 1/4-20-1" button-head screws on both sides of each posts. (Figure 24) Do not discard these screws.

⚠ WARNING

- ◆ Be sure to guide the sleeves down by hand once the screws are removed. Failure to follow this instruction might damage the sleeves. (Figure 24)

- 8) Ensure the gas spring's square tube assembly is out of the plastic guide. (Figure 26 & Figure 27)

- 9) Fully raise the posts by turning the key clockwise.

⚠ WARNING

- ◆ Ensure the sleeves do not rise with the posts. If they do, the square tube assembly must still be in the plastic guide. Go back to step 8. Failure to follow this instruction might damage the sleeves.

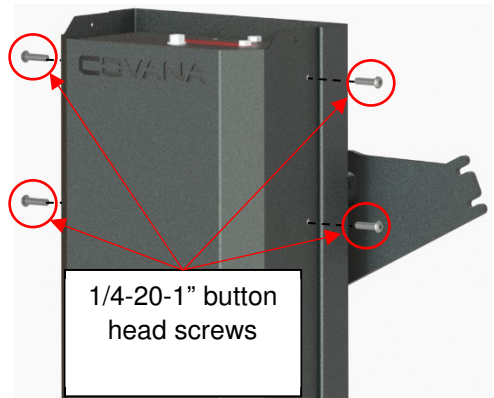


Figure 24



Figure 25

- 10) Spray grease on all the sliding and mechanical components of jacks and on the pivot points of the tilting mechanism. (Figure 26, Figure 27 and Figure 28)

⚠ WARNING

- ◆ Ensure all the components are well greased. Failure to follow this instruction will damage the posts.

- 11) Using a small stepladder, spot the plastic guide inside the inner sleeve and guide the square tube assembly in it. (Figure 27)

⚠ WARNING

- ◆ Ensure the square tube assembly is well inserted into the plastic guide. Failure to do so will damage the posts and/or the sleeves.

- 12) Lift the sleeves by hand until the inner sleeve reaches the same height as the post.

⚠ WARNING

- ◆ Do not drop the sleeves. Failure to follow this instruction will damage the sleeves.

- 13) Screw the two #10-24-1/2" Phillip screws and the four 1/4-20-1" button-head screws back into the inner sleeve. (Figure 23 & Figure 24)

- 14) Repeat steps 11 to 13 for the other post.

- 15) Cycle the system up and down and inspect if any further grease should be applied. If so, go back to step 10.

- 16) Lower the system until it is approx. 1" (2.54 cm) from the hot tub and replace the top plates by screwing the 2 #8-1/2" Robertson screws per posts. (Figure 21)

- 17) Slide the rear cover's screws back on the pivot arm, tighten them and screw the two front 1/4-20-1" button-head screws with the 1/4" flat washers on each side of the cover. (Figure 19 & Figure 20)

- 18) Close the cover completely.

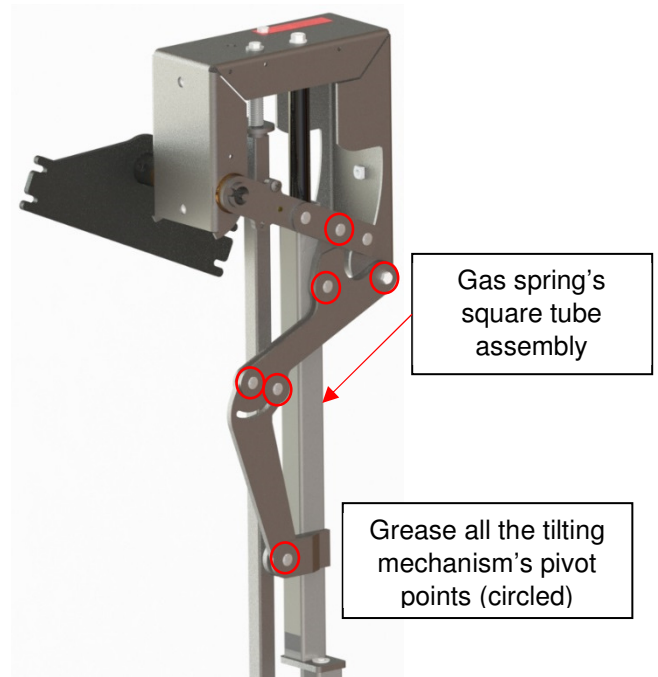


Figure 26

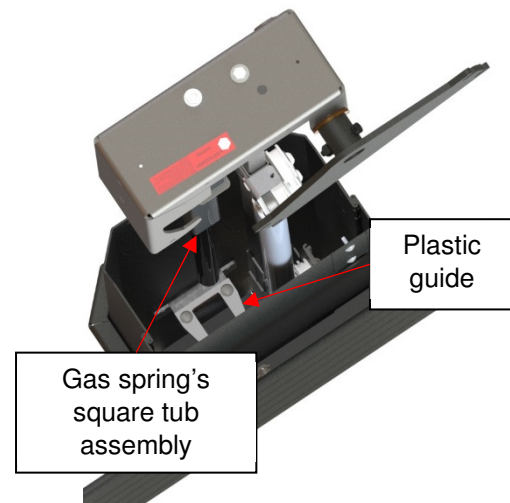


Figure 27

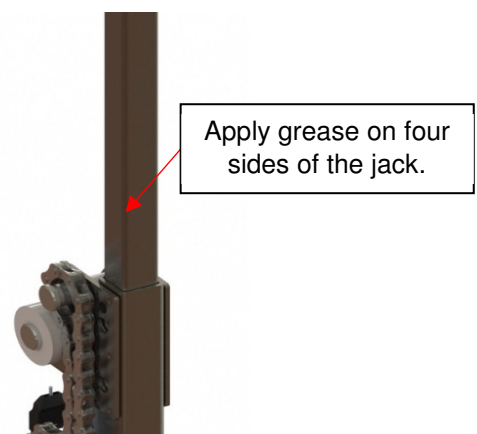


Figure 28

Shear pin replacement procedure

The shear pins are used to protect the HORIZON cover's tilting mechanism. Under a certain amount of force, the shear pins break and prevent the mechanism from being permanently damaged.

⚠ WARNING

◆ Always use the shear pins provided by COVANA. The use of any other component to replace the shear pins will void the warranty and might cause damage to the HORIZON cover or injuries to the user.

- 1) Lift the cover approx. 16" (40.6 cm) from the hot tub.
- 2) Remove the top plate by unscrewing the two #8-1/2" screws. (Figure 29) Do not discard these screws.
- 3) Locate the two shear pin fragments. (Figure 30)
- 4) Using long-nose pliers, push these shear pin fragments out and let them fall inside the post.
- 5) Slowly tilt the cover back and forth until both shear pin holes align properly. (Figure 31)
- 6) Using long needle-nose pliers, insert the new shear pin in the tilting mechanism's shear pin holes. (Figure 32)
- 7) Reinstall the top plate by screwing the two #8-1/2" screws. (Figure 29)
- 8) Repeat steps 2 to 7 for the other post.

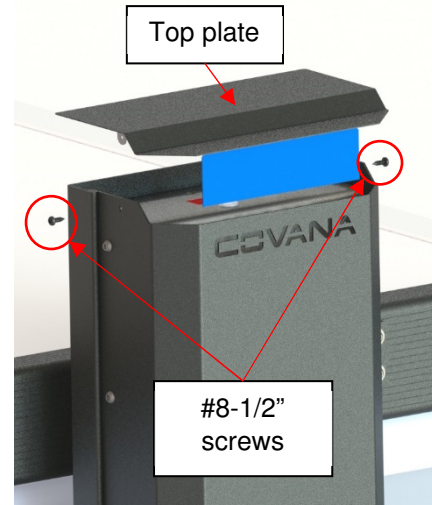


Figure 29

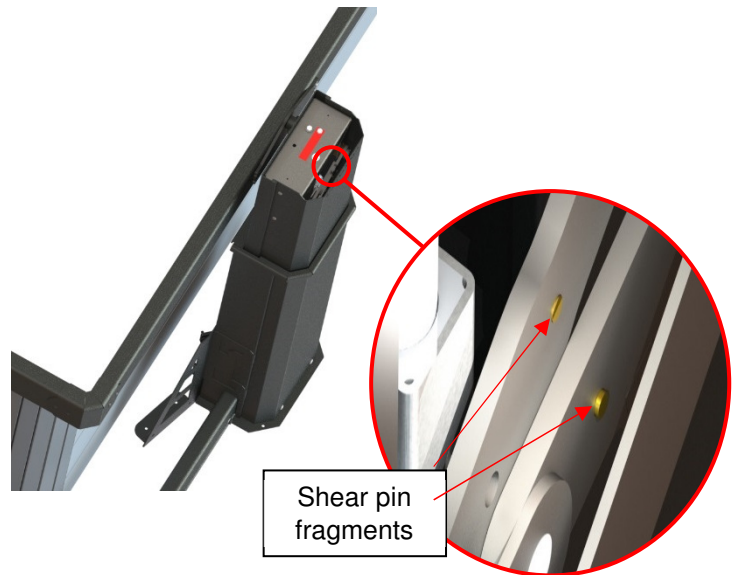


Figure 30

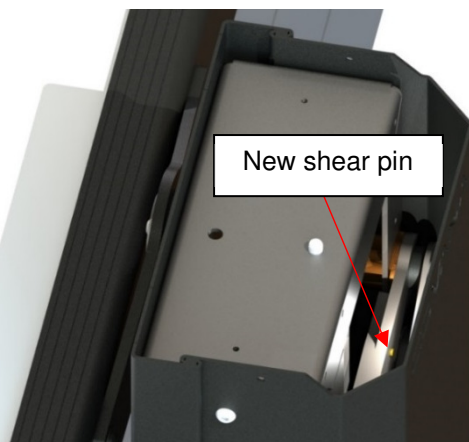


Figure 32

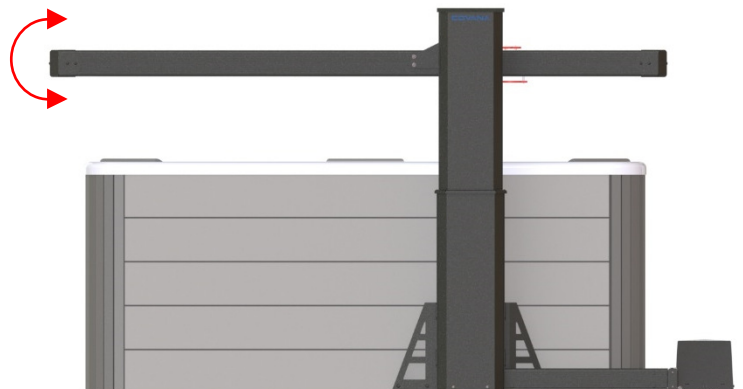


Figure 31

(This page intentionally left blank)



Contact your local authorized COVANA dealer for all service-related issues.

Made in Canada by COVANA,
a division of the Canimex group.
www.covana.com

PATENTED

CANADA 2,532,429
US 11/162,557
UK 0515168.3
AUSTRALIA 2006200251

The information in this manual was accurate at the time of print. The manufacturer reserves the right to change or improve its product without prior notice.